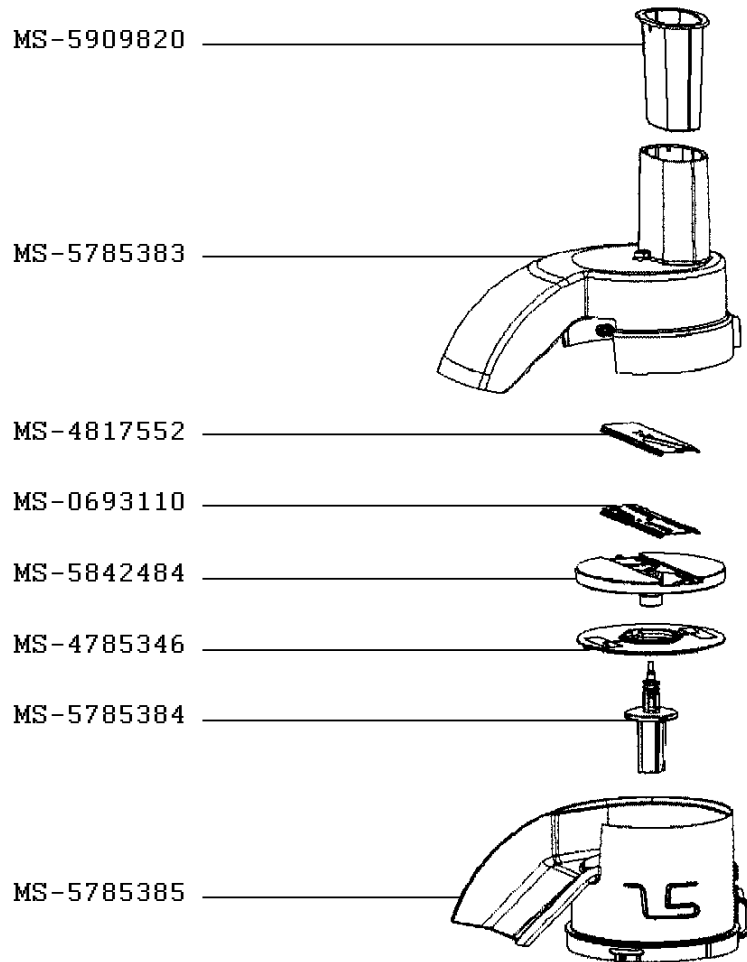


Tefal

**FOOD PROCESSOR
ISEO**

DO1021AD/70

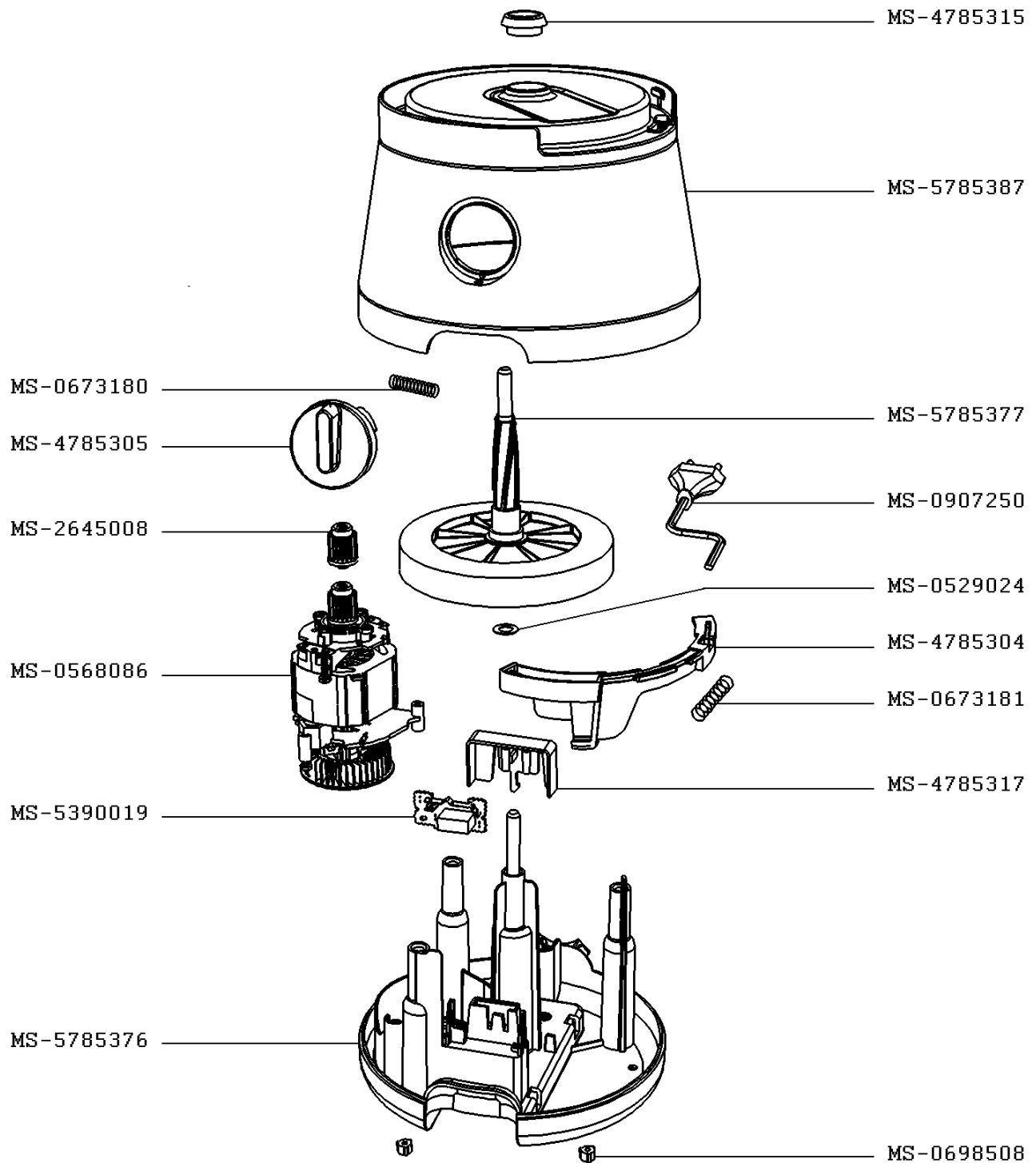


CREATION	10/5/2004	PAGE	COUNTRY	FAMILY
EDIT	12/1/2004	1/3	IR	III

Tefal

FOOD PROCESSOR ISEO

DO1021AD/70



CREATION
EDIT

10/5/2004
12/1/2004

PAGE
2/3

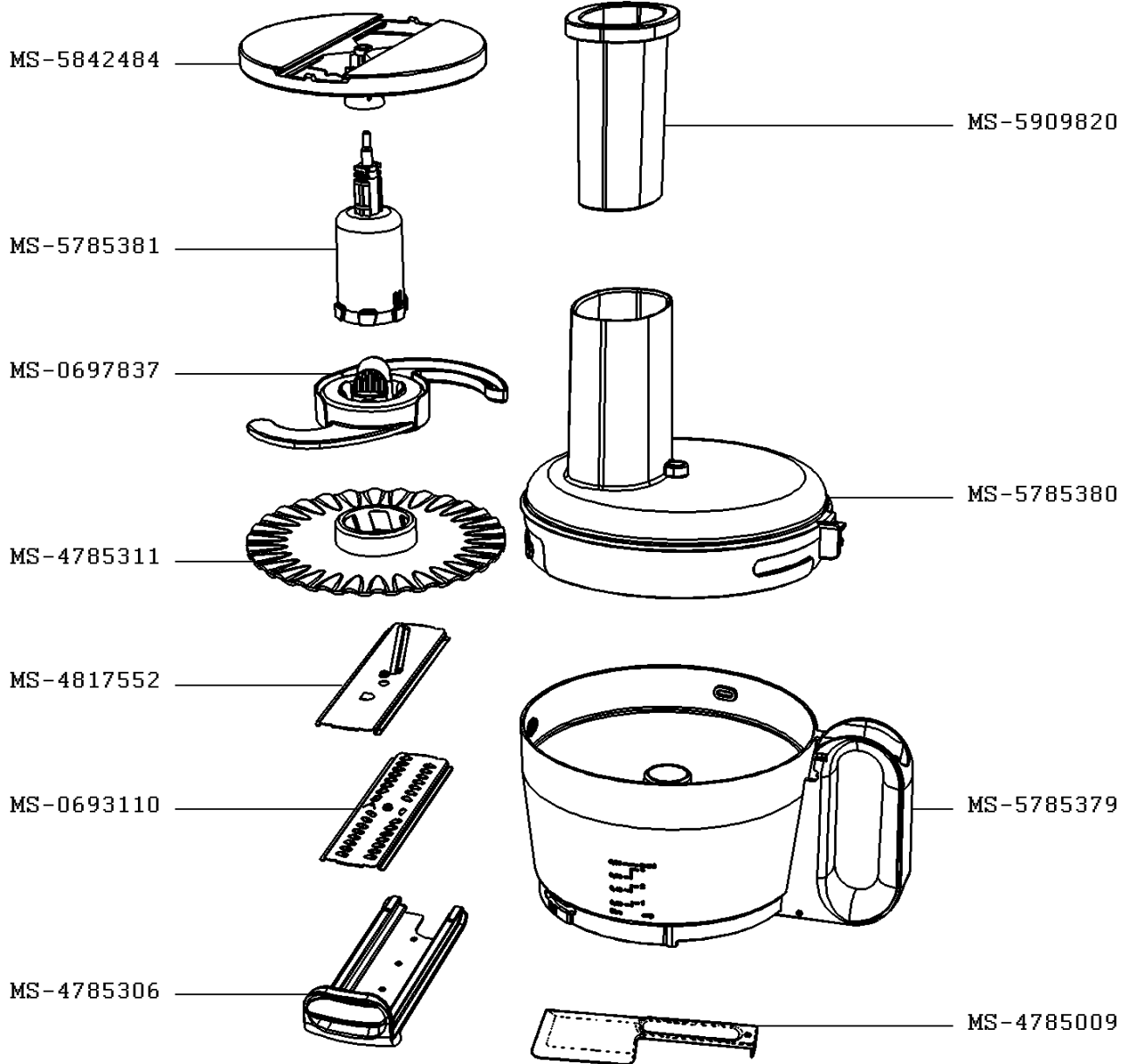
COUNTRY
IR

FAMILY
III

Tefal

**FOOD PROCESSOR
ISEO**

DO1021AD/70



CREATION
EDIT

10/5/2004
12/1/2004

PAGE
3/3

COUNTRY
IR

FAMILY
III