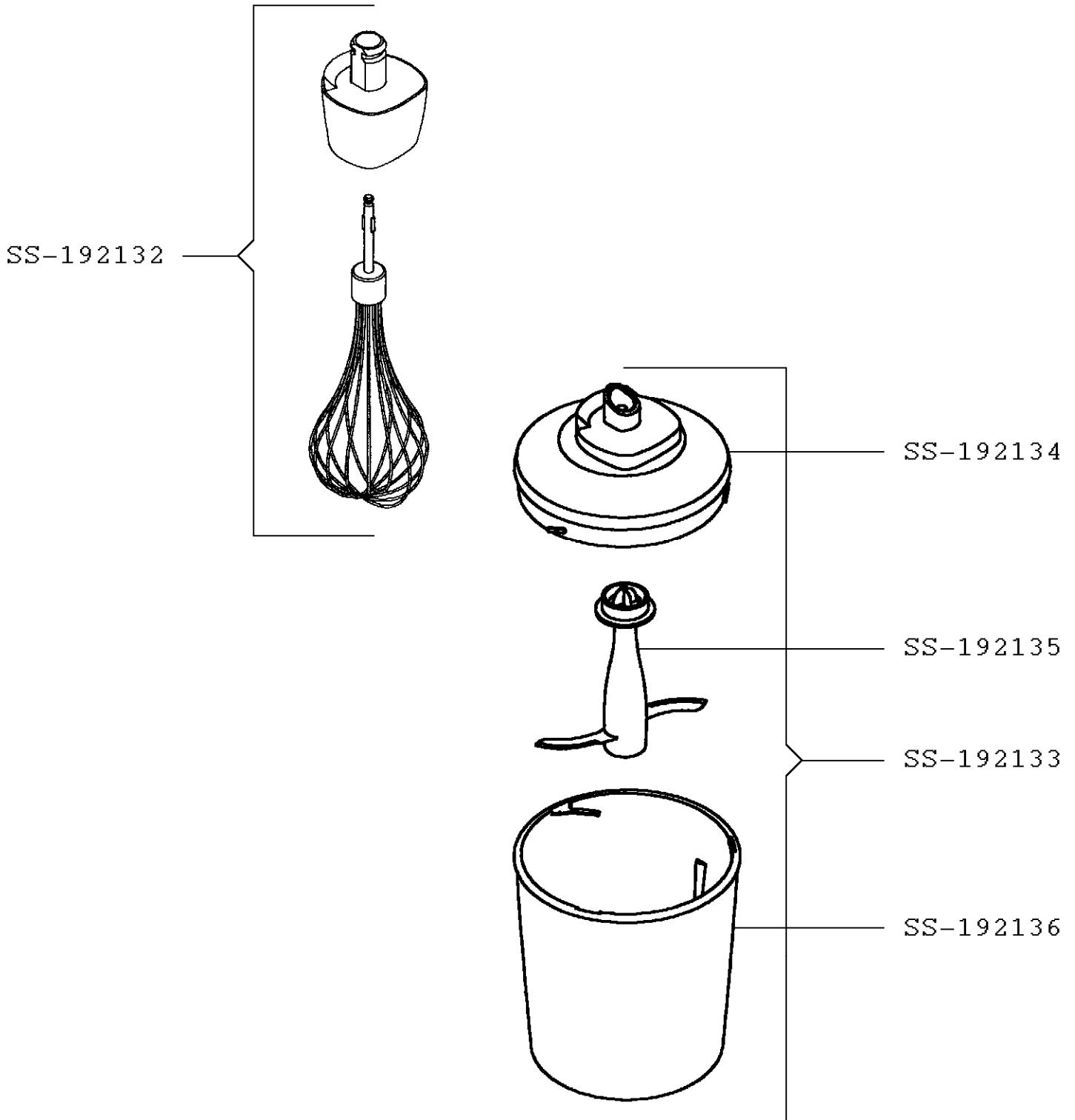


KRUPS

HAND MIXER

GPA340

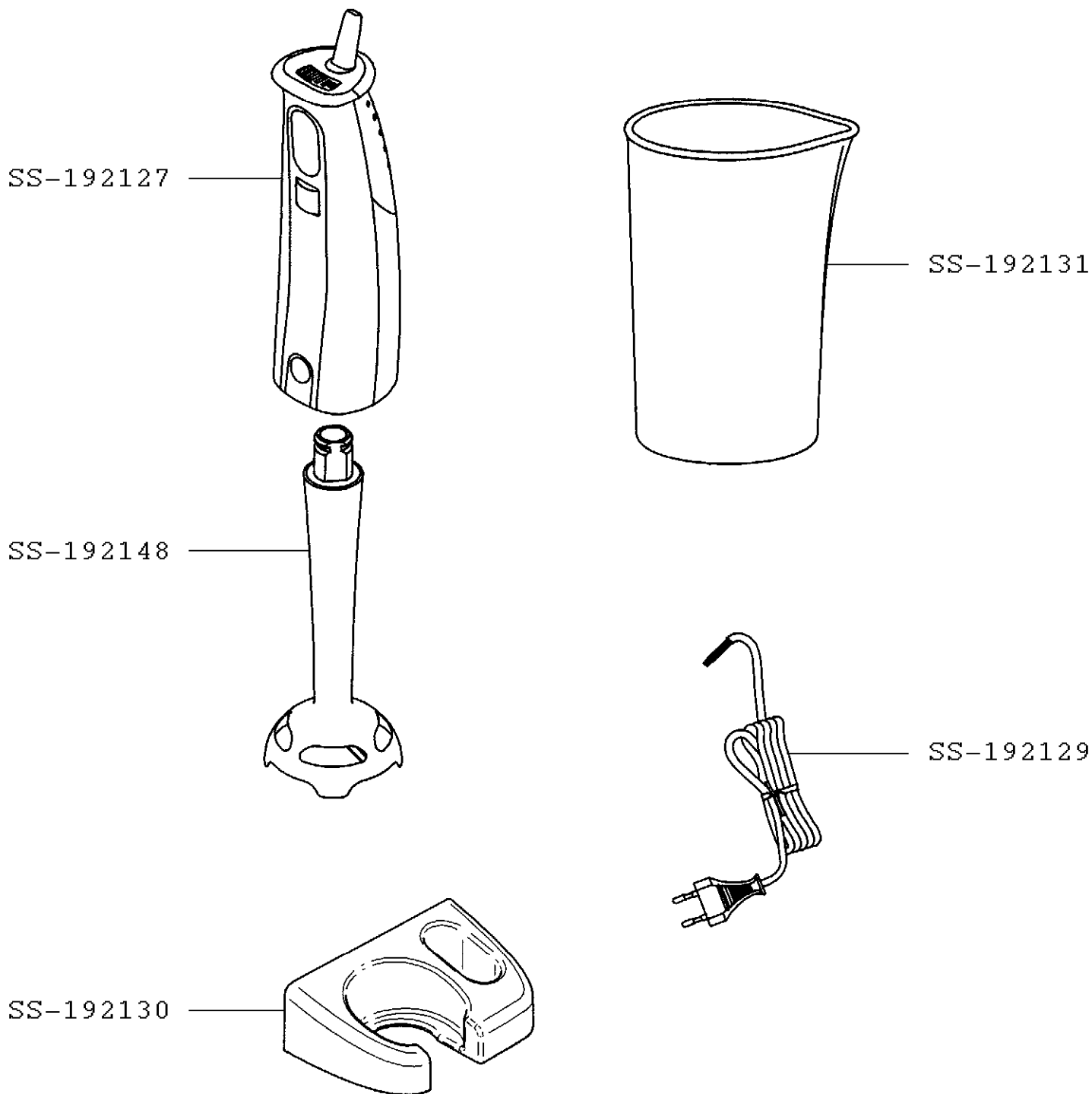


CREATION	9/1/2005	PAGE	COUNTRY	FAMILY
EDIT	5/21/2012	1/2	AL	III

KRUPS

HAND MIXER

GPA340



CREATION	9/1/2005	PAGE	COUNTRY	FAMILY
EDIT	5/21/2012	2/2	AL	III