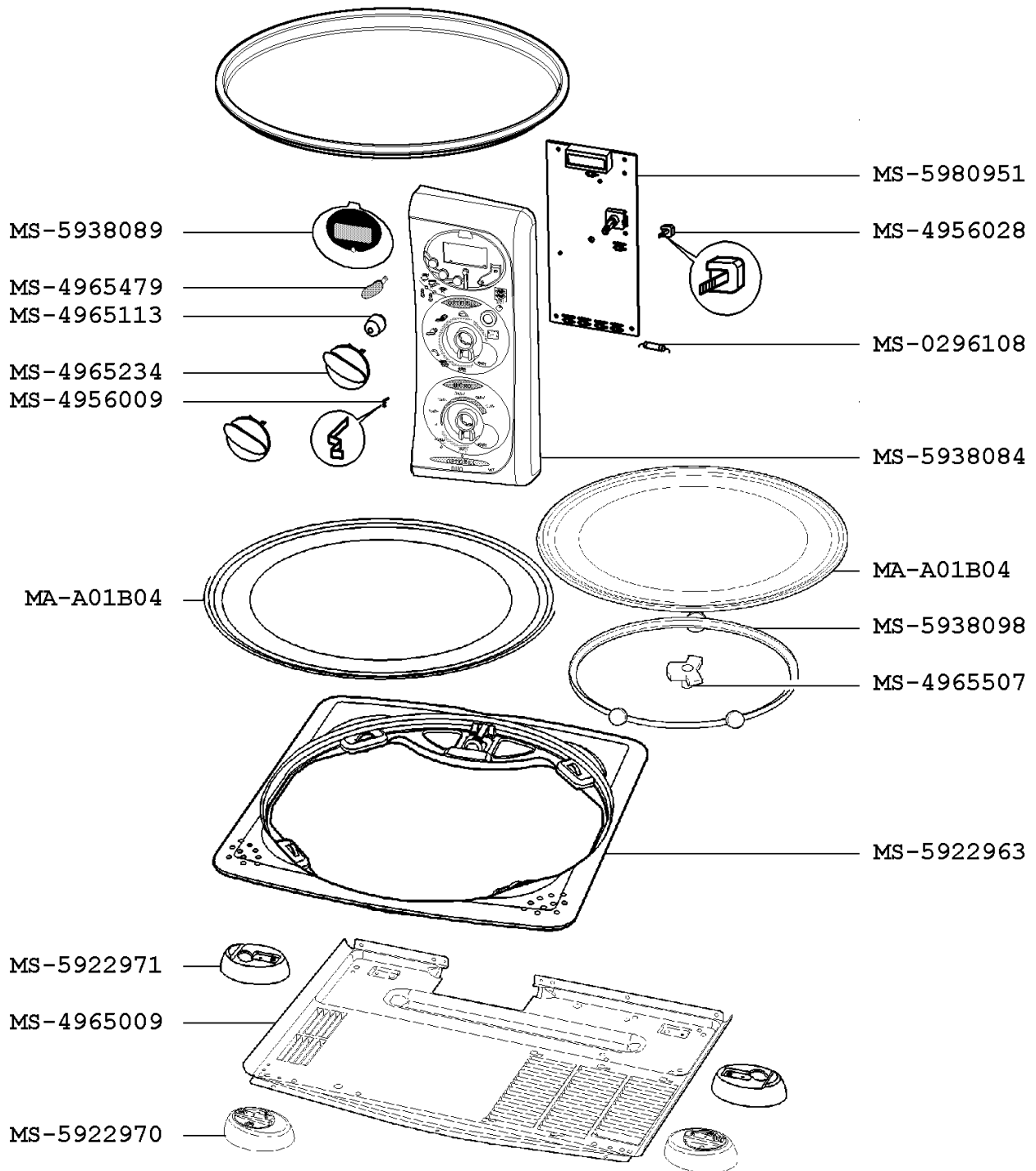


Moulinex

MICROWAVE OPTIGRILL DUO (MOT.VENTIL.)

AET42Q(0)

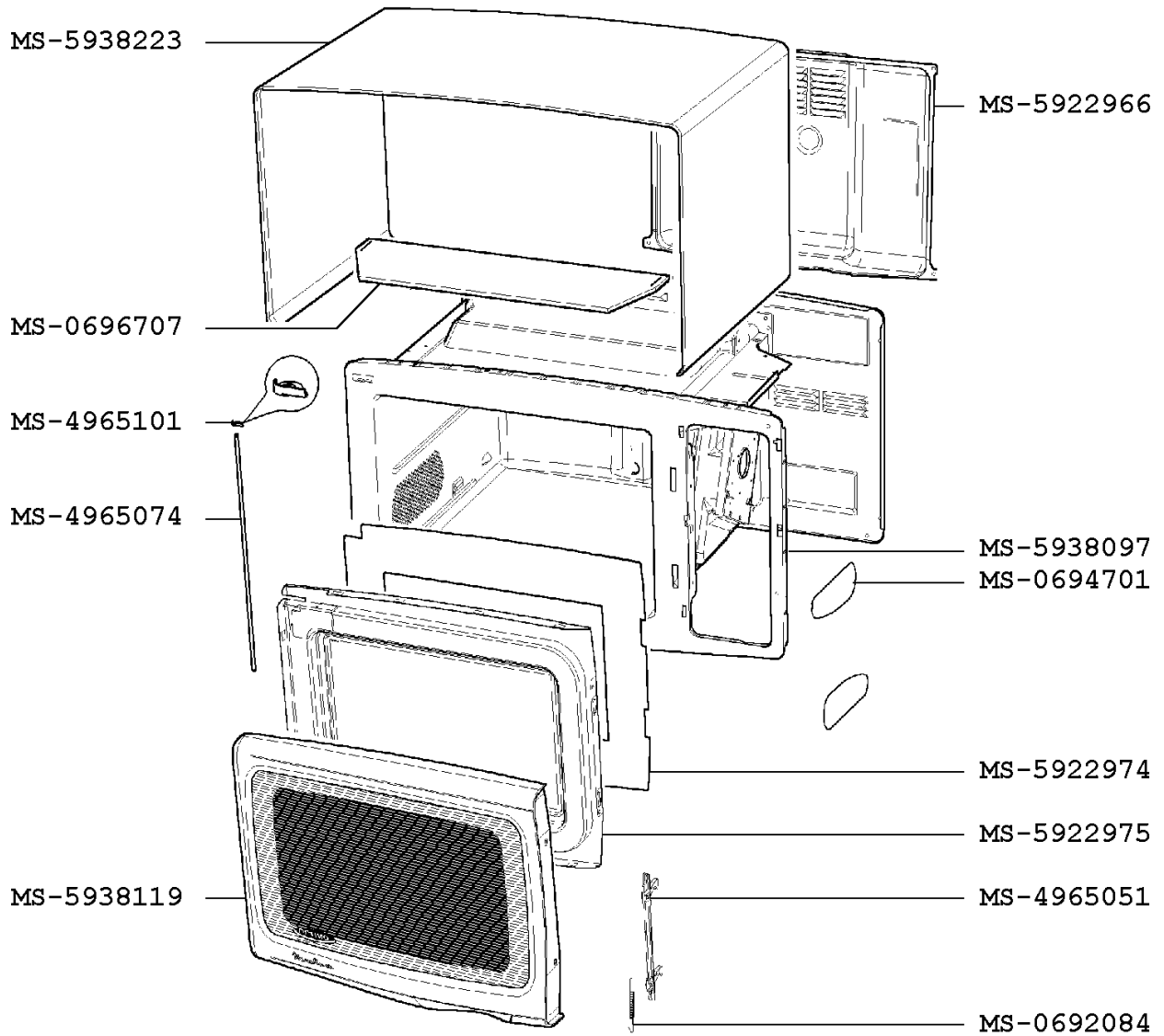


CREATION APPLIANCE	PAGE	COUNTRY	FAMILY
ISSUE EXPLODED DIAGRAM12/1/2003	1/3	IR	IX

Moulinex

MICROWAVE OPTIGRILL DUO (MOT.VENTIL.)

AET42Q(0)

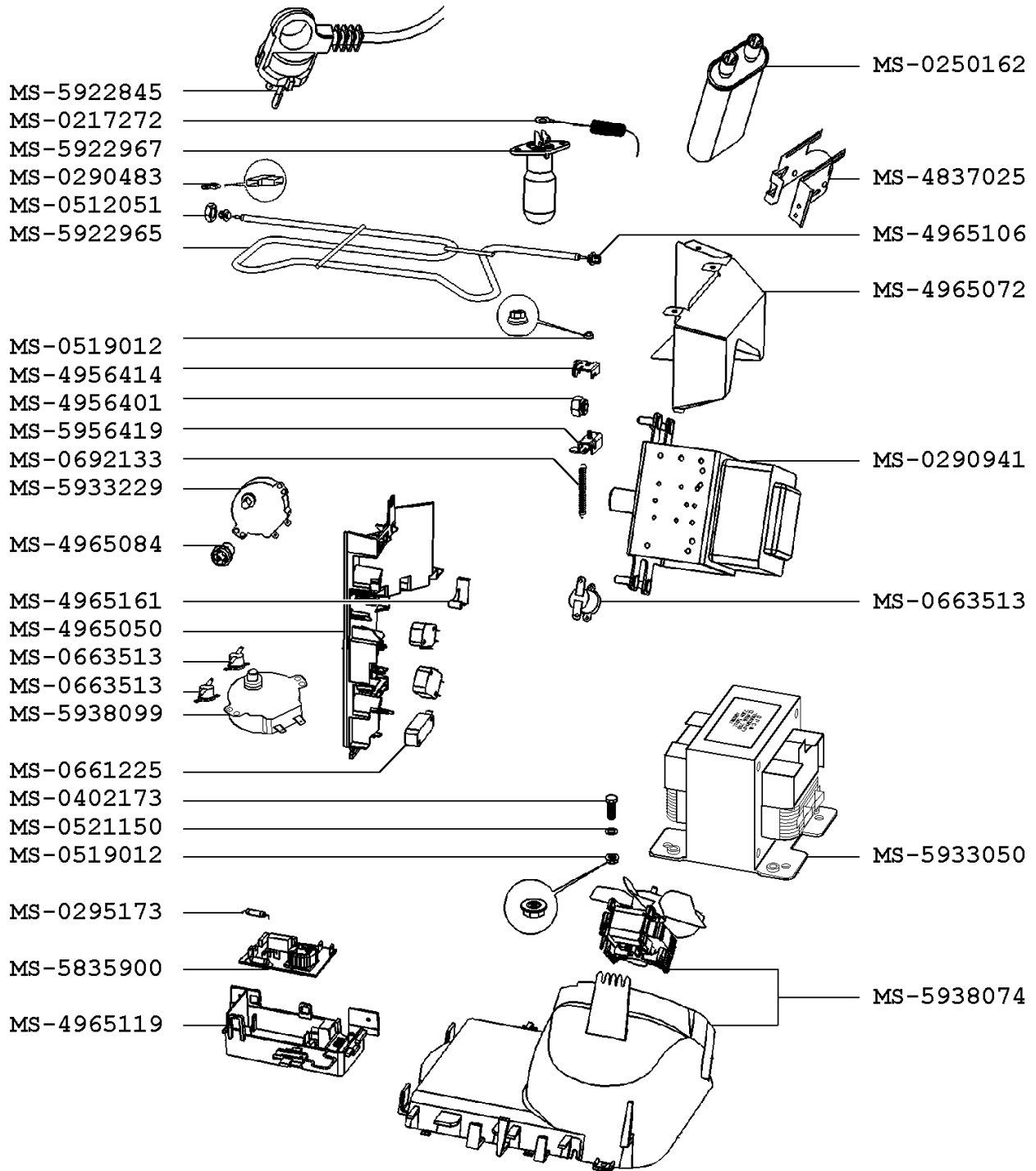


CREATION APPLIANCE ISSUE EXPLODED DIAGRAM12/1/2003	PAGE 2/3	COUNTRY IR	FAMILY IX
---	-------------	---------------	--------------

Moulinex

MICROWAVE OPTIGRILL DUO (MOT.VENTIL.)

AET42Q(0)



CREATION APPLIANCE	PAGE	COUNTRY	FAMILY
ISSUE EXPLODED DIAGRAM12/1/2003	3/3	IR	IX