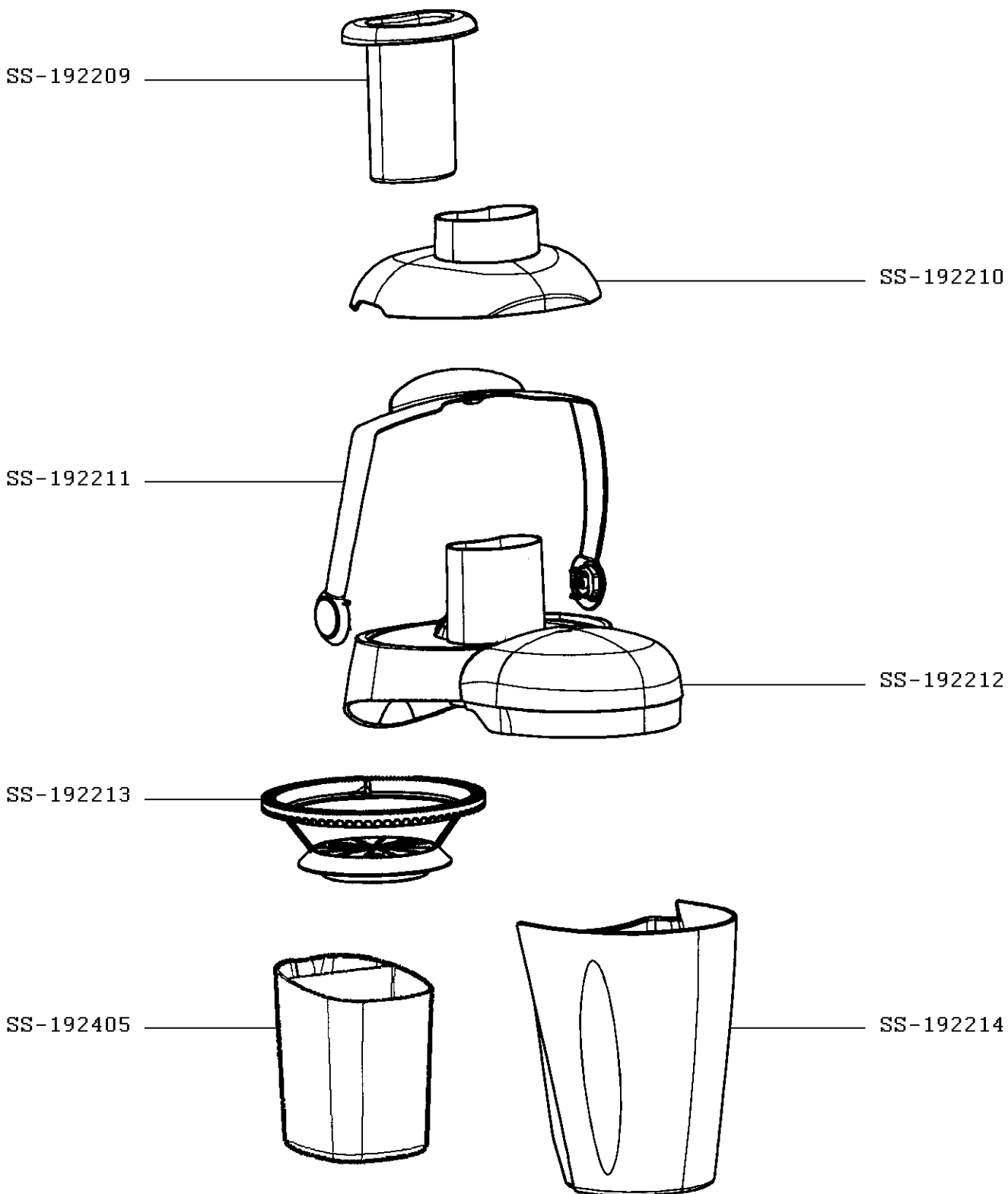


CENTRIFUGAL JUICE EXTRACTOR FRUTTI PRO

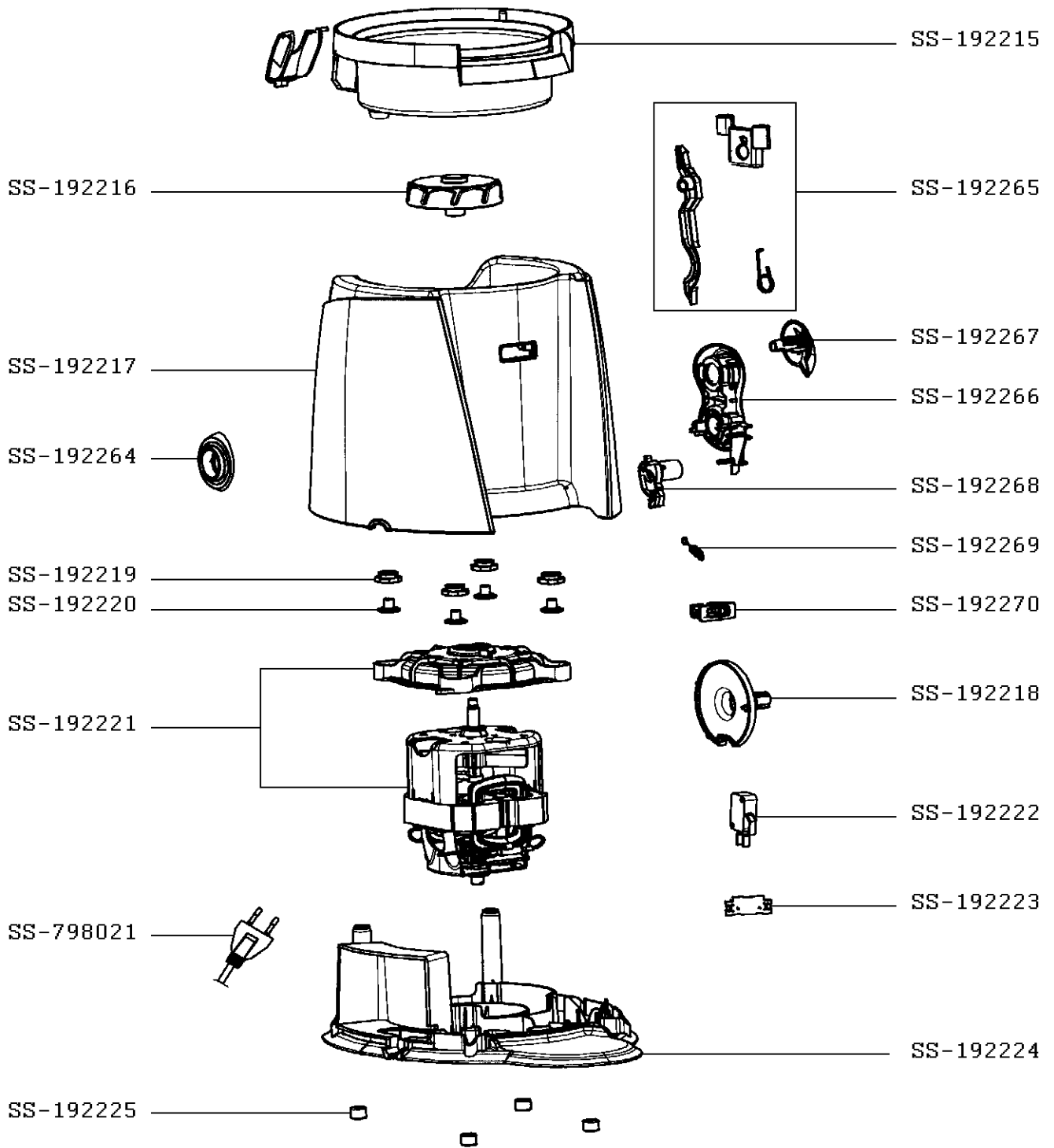
BKA14M(2)



CREATION	6/1/2006	PAGE	COUNTRY	FAMILY
EDIT	1/3/2007	1/2	IR	III

CENTRIFUGAL JUICE EXTRACTOR FRUTTI PRO

BKA14M(2)



CREATION	6/1/2006	PAGE	COUNTRY	FAMILY
EDIT	1/3/2007	2/2	IR	III